

Part number



CMP 06 LS



Brief description:

surface mounting housings with single lever, size "77.27" insulated 830V version, metal cover, Pg21, insulated 830V version, IP65

Product description	
Version	insulated 830V version
Series	Surface mounting housings with 1 lever
Product type	with 1 lever
Variant	metal cover
Family	830V enclosures for CME inserts
Size	size "77.27" insulated 830V version
Technical data	
Material	metal
IP degree of protection	IP65
Cable entry	Pg21
Further technical details	
Weight	364,00 g

Approvals / Standards	
Quality mark	 (type:4/4X/12),  , EAC
Conformity	CQC, CE
General ordering information	
EAN13 code	8015747031493
Tariff number	85369095
Packaging Information	
Packaging length	325,00 mm
Packaging height	180,00 mm
Packaging width	180,00 mm
Packaging weight	3,64 kg
Packaging volume	10,53 dm ³
Packaging description	Carton box
Packaging quantity	10 Pcs
Packaging EAN code	8015747231466
Sub-packaging weight	1,82 kg
Sub-packaging description	Plastic pakaging
Sub-packaging quantity	5 Pcs
Sub-packaging EAN barcode	8015747231473

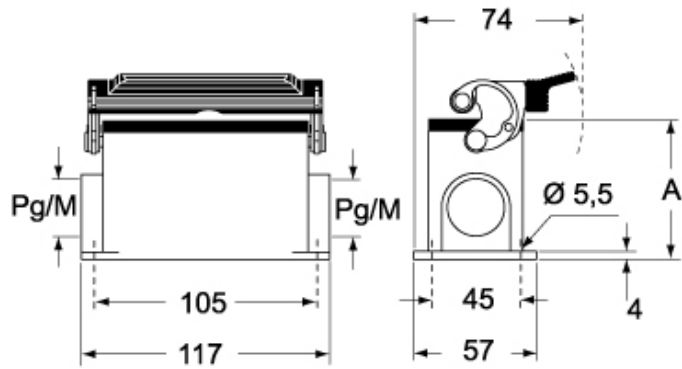
Part number

CMP 06 LS

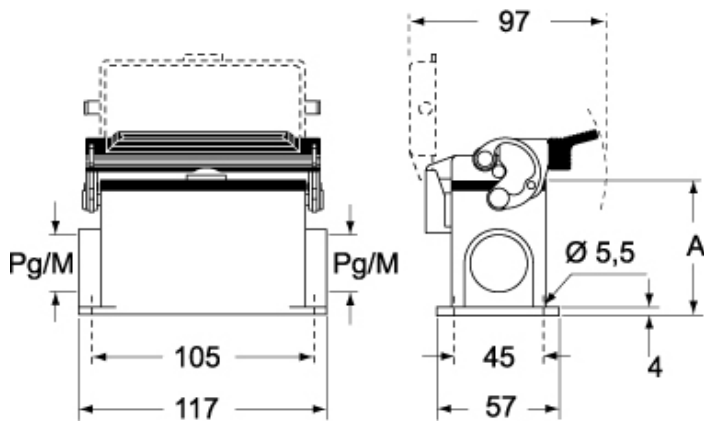


Catalogue drawings

CMP L CMAP L - MMP L MMAP L



CMP LS CMAP LS - MMP LS MMAP LS



	A
CMP L / MMP L	63
CMAP L / MMAP L	77
CMP LS / MMP LS	63
CMAP LS / MMAP LS	77